



# Agilent M9021A PCIe Cable Interface

**DISCOVER** the Alternatives...

## Industries and Applications

- Aerospace and defense
- Communications
- Electronics test
- Semiconductor testing

## Product Description

The M9021A PCIe® cable interface provides a link between the M9018A PXIe chassis and an external host computer. Once installed in the chassis and connected to the computer via a standard PCIe cable, the M9021A provides a very high bandwidth serial link between the devices. This link is transparent to computer applications and allows direct control of PXI and PXIe modules. The M9021A utilizes special features built into the M9018A PXIe chassis and is not compatible with the PXIe system slot in other PXIe chassis.



... Agilent **Modular** Products

### Models

M9021A PCIe cable interface

## Main Features and Benefits

Product features	Your benefit
Gen 2 speeds and x8 PCIe links	Large data rate supports high-performance applications
Standard PCIe over cable	Use with any computer with an x8 PCIe interface
Transparent operation with application software	Provides ease of installation

Connector compatibility: M9018A

## Characteristics

### Hardware

Size	1 slot 3U
PCIe link configuration	Single, Gen 2 x8 link to M9018A backplane
Data bandwidth (max)	4 GB/s to M9018A backplane 4 GB/s to computer
Front panel connector	x8 PCIe cable connector
Front panel indicators	LEDs for PCIe lane status
Power consumption	5 W ( <i>typical</i> )
Cable length	Up to a 2 meter passive cable supported



**Agilent Technologies**

## Typical Product Configuration

Model	Description
M9021A	PCIe cable interface
M9047A	PCIe desktop PC adapter
Y1202A	2m PCIe cable



Figure 1. M9047A and Y1202A are recommended for use with the M9021A to connect the M9018A PXIe chassis to the external host computer

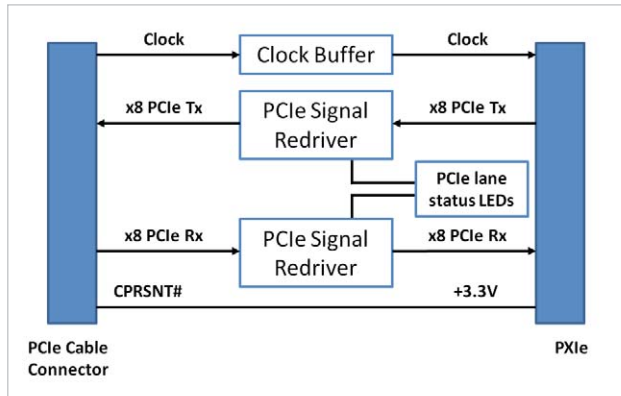


Figure 2. M9021A diagram

PCIe® is a registered U.S. trademark and/or service mark of PCI-SIG.

## Ordering Information

Model	Description
M9021A	PCIe cable interface: Gen 2, x8

Related products	
M9018A	PXIe chassis: 18-slot, 3U, 8GB/s
M9045B	PCIe ExpressCard adaptor: Gen 1
Y1200B	PCIe cable: x1 to x8, 2.0m (used with M9045B)
M9047A	PCIe desktop PC adapter: Gen 2, x8
Y1202A	PCIe cable: x8, 2.0m (used with M9047A)

### Advantage Services: Calibration and Warranty

Agilent Advantage Services is committed to your success throughout your equipment's lifetime.

R1280A	Extended warranty
--------	-------------------

## Discover Agilent ...



[www.agilent.com](http://www.agilent.com)

[www.agilent.com/find/modular](http://www.agilent.com/find/modular)

[www.agilent.com/find/pxi-chassis](http://www.agilent.com/find/pxi-chassis)

USA: (800) 829-4444

For more information on Agilent Technologies' products, applications, or services, please contact your local Agilent office. The complete list is available at: [www.agilent.com/find/contactus](http://www.agilent.com/find/contactus)

Product specifications and descriptions in this document subject to change without notice.

© Agilent Technologies, Inc. 2011 Printed in USA, November 1, 2011  
5990-6359EN



**Agilent Technologies**